

# Audio Precision

## RAK-515 Instructions

Rackmounting kit for the APx515 audio analyzer

### Introduction

The hardware included in this kit allows the Audio Precision APx515 analyzer to be rack mounted using a shelf rackmount adapter.

Three mounting methods are described below. In all cases, the APx515 Aux control connectors, PC connection, and mains power connection are made from the rear of the rack. The mains power switch and fuse module are also accessible from the rear.

### Parts List:

Ref.	Description	AP Part No.
A	1 each rack shelf	7171.0515
B	4 each 10-32 x 5/16" Phillips truss head screw, painted dark gray	5115.4116.6
C	4 each 6-32 x 9/16" Phillips flat head screw, painted dark gray	5113.1118.6

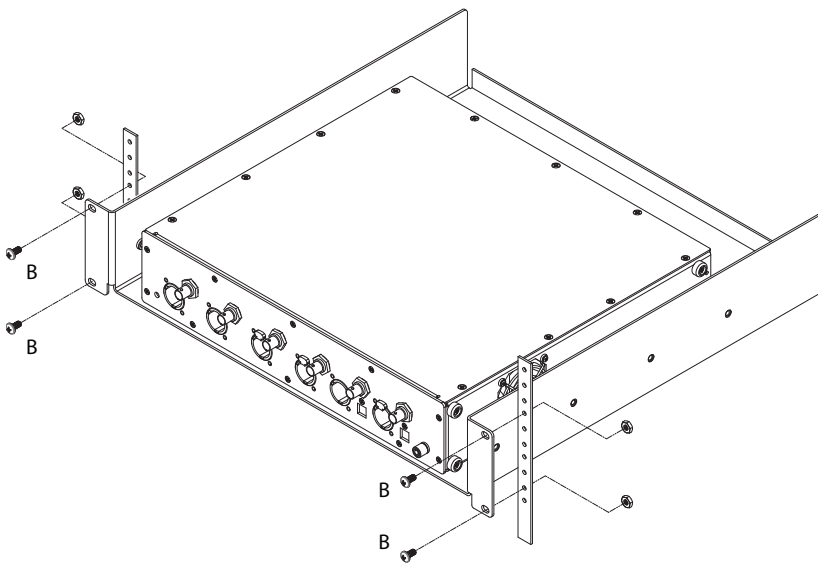


Figure 1. APx515 and rackmount shelf adapter, mounted in 19" rack.

### Mounting Option I: Unsecured shelf mounting (Figure 1)

Step 1. Using the 4 10-32 5/16" screws (B), mount the shelf in a standard 19" equipment rack.

Step 2. Set the APx515 instrument on the shelf, being sure that the rubber feet sit in the indentations in the shelf. See Figure 2. Use indentations (D) for flush mounting, or indentations (E) for recessed mounting.

**Caution:** Instrument is unsecured when using Mounting Option I, and under certain circumstances may shift or fall. Use Mounting Option II or Mounting Option III for secure rack mounting.

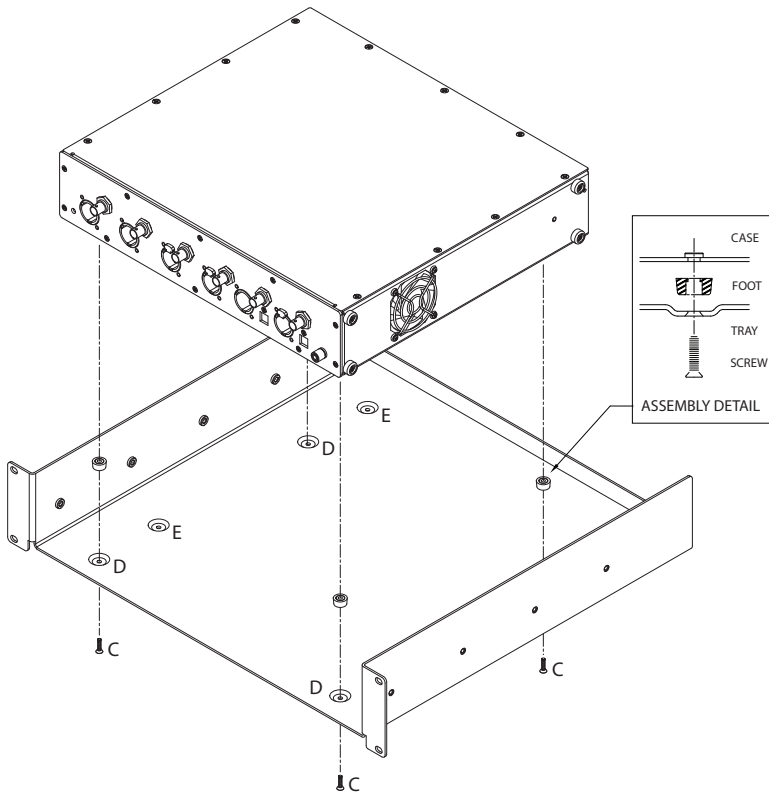


Figure 2. Mounting APx515 securely to rack shelf.

## Mounting Option II: Secured shelf mounting (Figure 2)

Step 1. Place the APx515 instrument upside down on a workspace. Using a Phillips screwdriver, remove the 4 rubber feet from the chassis bottom. The 4 mounting screws will not be reused.

Step 2. Center each foot (without screws) over the mounting holes on the chassis bottom.

Step 3. Turn the shelf upside down and place it over the APx515 chassis bottom, with the rubber feet in between. Align the shelf so that the feet are under the indentations at (D) for flush mounting, or at (E) for recessed mounting.

Step 4. Insert the 4 6-32 x 9/16" screws (C) through the screw holes in the shelf indentations, through the rubber feet, and into the tapped mounting holes in the APx515 chassis bottom.

Step 5. Using the 4 10-32 5/16" screws (B), mount the assembled shelf and APx515 instrument in a standard 19" equipment rack. See Figure 1.

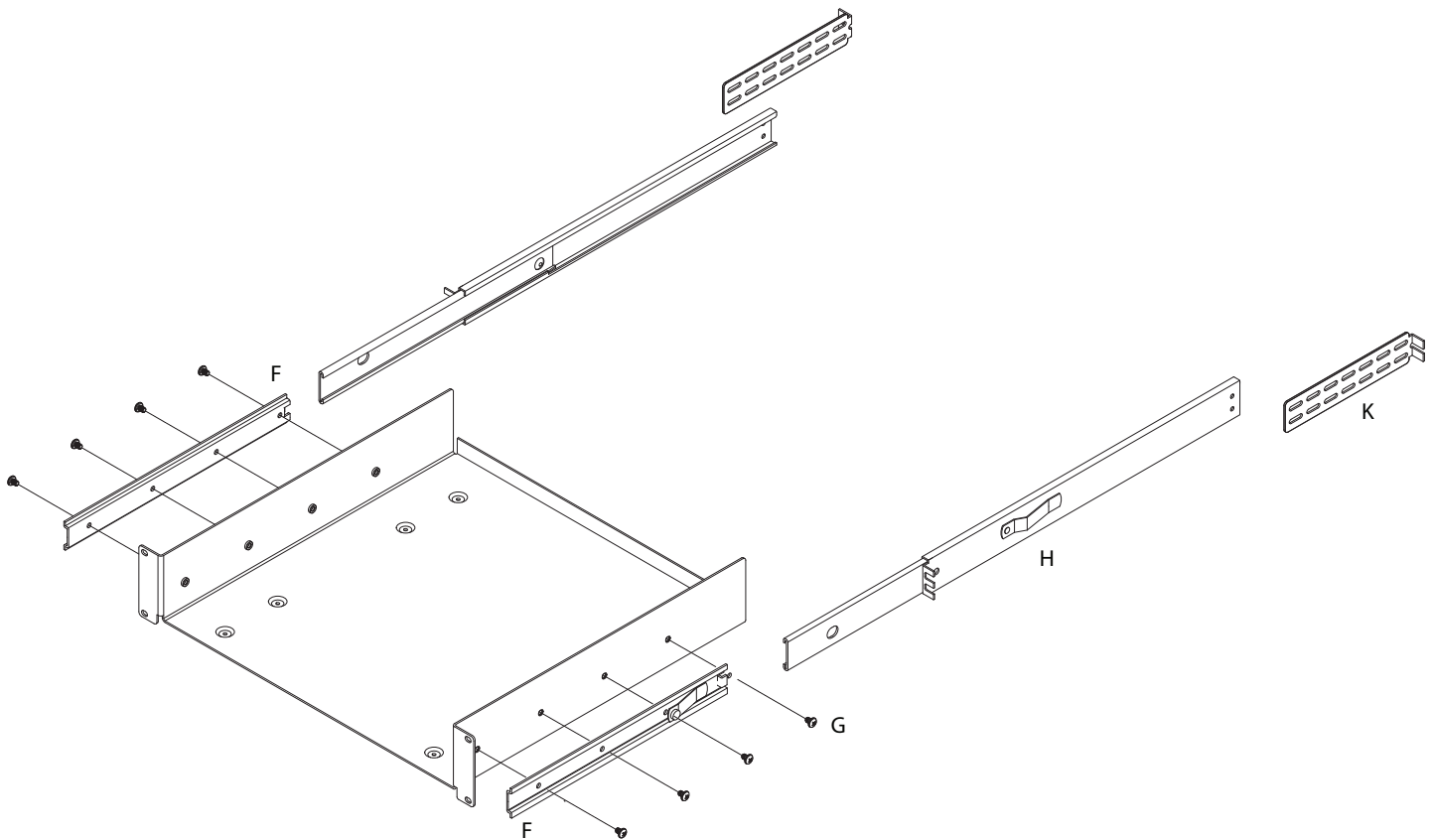


Figure 3. Attaching rack slide sections to rackmount shelf.

### Mounting Option III: Optional slide adapters for APx515 (Figure 3)

Step 1. Order compatible rack slides from a third party manufacturer. Audio Precision does not sell rack slides for this product. We recommend General Devices slide part number C-300-S-1xx, and the C-300 optional mounting brackets (sales@generaldevices.com, or 317-897-7000). The “xx” in the part number listed here represents the length of the slide, which will vary depending upon your rack depth and application. Please consult with a General Devices sales engineer to determine the correct length.

**Caution:** It is essential that the rack slides be supported at both the front and the rear of the rack. Mounting the rack slide to the front of the rack only will result in mechanical failure. You must order and install the correct rear mounting brackets (K) for your rack and application. Please consult with a General Devices sales engineer to determine the correct rear mounting brackets.

Step 2. Perform Steps 1–4 for Mounting Option II, on the previous page.

Step 3. Mount the two “chassis sections” (F) of the C-300-S slide to the sides of the rack mounting shelf, using hardware (G) provided with the slide. Follow the slide manufacturer’s instructions and guidelines.

Step 4. Mount the two “stationary sections” (H) of the C-300-S slide in the 19" rack. Follow the slide manufacturer’s instructions and guidelines. Be sure to attach these parts to both the front and the rear of the rack, using rear mounting brackets (K).

Step 5. Slide the assembled shelf, APx515 instrument and slide chassis sections into the slide stationary sections. Follow the slide manufacturer’s instructions and guidelines.



5750 SW Arctic Drive  
 Beaverton OR 97005  
 1-800-231-7350  
 sales@ap.com  
 www.ap.com